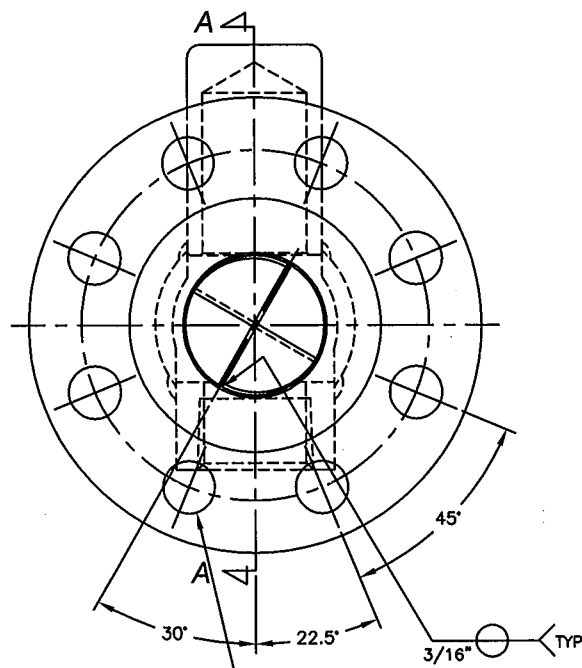


8 7 6 5 4 3 2 1

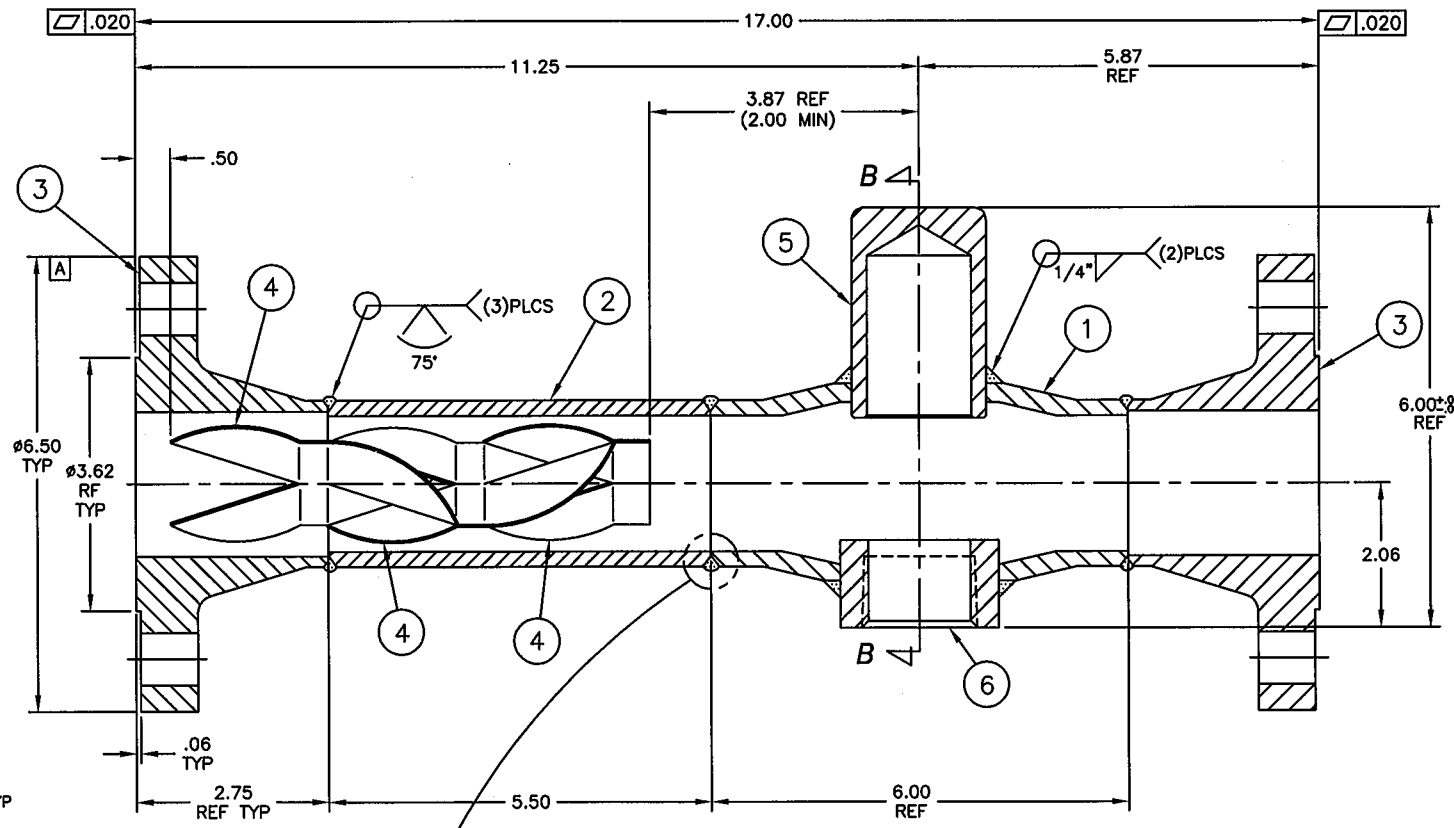
D  
C  
B  
A

D  
C  
B  
A

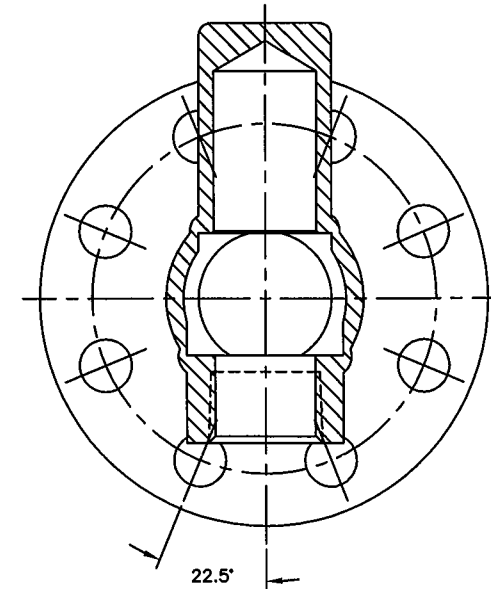


.75 DIA THRU,  
(8)PLCS EQUALLY  
SPACED ON A  
5.00ØB.C.,(2)FLGS

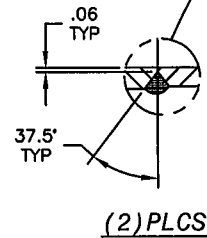
⊕⊖ Ø.020 ⓈA



SECTION A-A



SECTION B-B



(2)PLCS

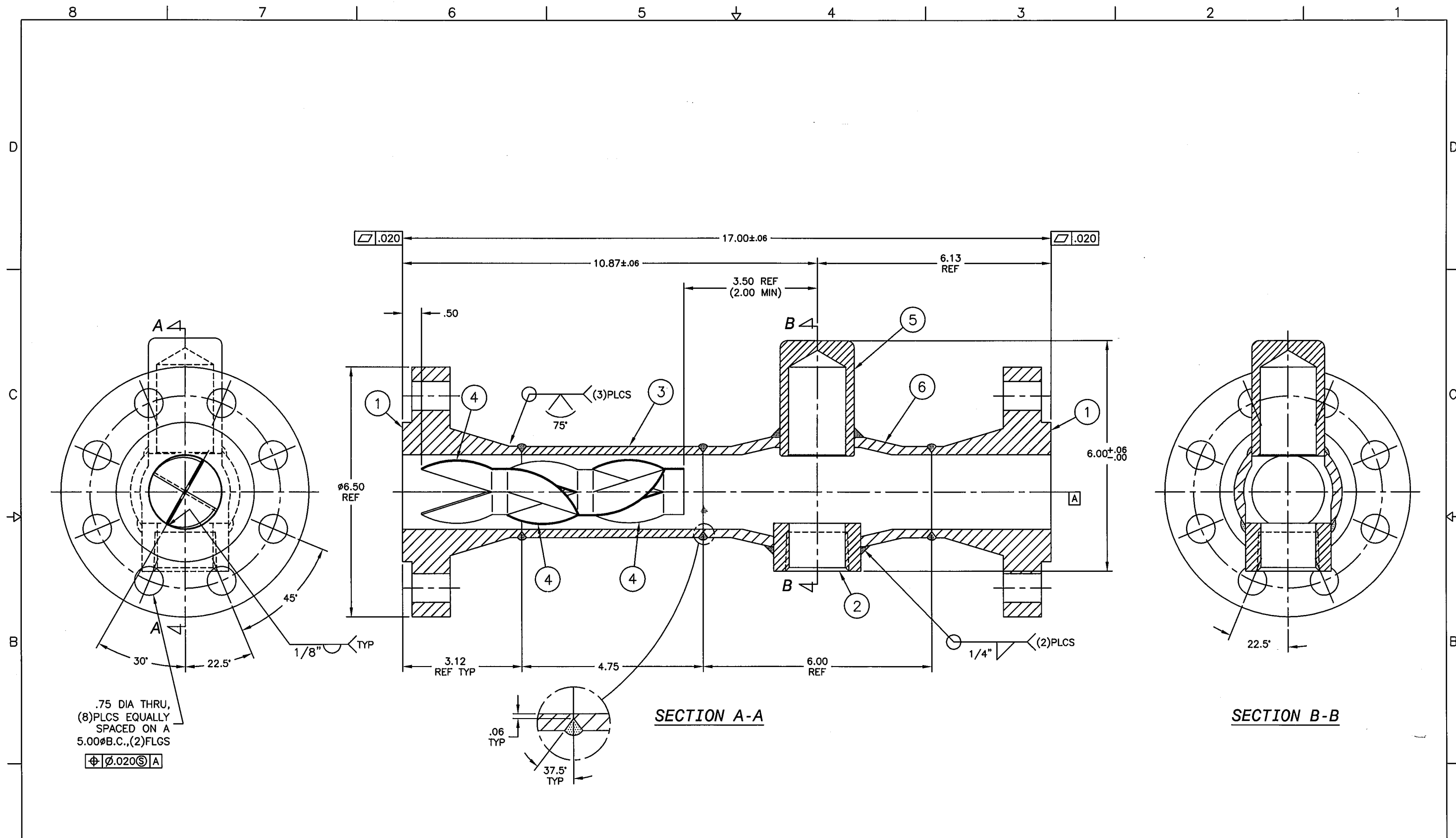
THE INFORMATION CONTAINED HEREON SHALL BE CONSIDERED THE SOLE PROPERTY OF NUFLO TECHNOLOGIES, INC., AND THE RECIPIENT THEREOF AGREES NOT TO DISCLOSE SAID INFORMATION TO PARTIES OUTSIDE THE RECIPIENT'S ORGANIZATION AND NOT TO USE OR DUPLICATE SAID INFORMATION FOR ANY PURPOSE EXCEPT AS SPECIFIED BY NUFLO TECHNOLOGIES, INC. WITHOUT THE WRITTEN PERMISSION OF NUFLO TECHNOLOGIES, INC. PRODUCTS AND TECHNOLOGY DEVELOPED IN U.S.A. OR BY CITIZENS OF THE U.S.A. ARE DEEMED TO BE OF U.S. ORIGIN AND THEREBY SUBJECT TO U.S. EXPORT CONTROL LAWS. THE EXPORT OR REEXPORT OF U.S. ORIGIN TECHNOLOGY BY ANY MEANS, INCLUDING DATA TRANSFER, IS PROHIBITED EXCEPT IN ACCORDANCE WITH U.S. LAW AND NUFLO TECHNOLOGIES, INC. POLICY

USED ON:	RESTRICTED DRAWING	UNLESS OTHERWISE SPECIFIED	DESIGNED BY: AG 7/14/2006	<b>NuFlo Technologies, Inc.</b> Houston, Texas TITLE STATIC MIXER/LA-22, 2" 300LB RFWN FLG, SCH 80, 17" F-F SIZE DWG. NO. 50132325201 REV B SCALE: NTS WEIGHT: SHEET 2 OF 2
	<input type="checkbox"/> PED <input type="checkbox"/> INT. SAFETY <input type="checkbox"/> CSA <input type="checkbox"/> EXPL. PROOF <input type="checkbox"/> ATEX <input type="checkbox"/> IP65 / NEMA 4X <input type="checkbox"/> ZONE 2 <input type="checkbox"/> ZONE 1	<b>TOLERANCES</b> FABRICATION .X = ±.25 .XX = ±.125 .XXX = ±.060 ANGLES ± 3° MACHINE .X = ±.030 .XX = ±.015 .XXX = ±.005 .XXXX = ±.0010 ANGLES ±1/2°	DRAWN BY: AG 7/14/2006 APPROVED BY: SLS 7.20.2006 REFERENCE: - SUPERSEDES: 50132325201 Rev.A	
	<input type="checkbox"/> NO MODIFICATION PERMITTED WITHOUT THE APPROVAL OF THE REGULATORY ENGINEER. THIS IS A CONTROLLED DRAWING/ NOTIFIED BODY REF DRAWING. <input type="checkbox"/> NO MODIFICATION PERMITTED WITHOUT THE APPROVAL OF THE NOTIFIED BODY. THIS IS A NOTIFIED BODY CONTROLLED DRAWING. RESTRICTION AUTHORIZATION REGULATORY ENGINEER:	1. DO NOT SCALE DRAWING 2. DIMS. ARE IN INCHES 3. INTERPRET DIM. TOL. PER ASME Y14.5M-1994 4. REMOVE ALL BURRS AND SHARP CORNERS 5. INSIDE CORNERS R .032 OUTSIDE CORNERS R .020 OR CHAM. .020 X 45° 6. MACHINE FINISH FIN ✓	THIRD ANGLE PROJECTION 	
			FORM REVISION A	

8 7 6 5 4 3 2 1

A

A



.75 DIA THRU,  
(8)PLCS EQUALLY  
SPACED ON A  
5.00ØB.C.,(2)FLGS  
⊕ .020 Ⓢ A

SECTION A-A

SECTION B-B

THE INFORMATION CONTAINED HEREON SHALL BE CONSIDERED THE SOLE PROPERTY OF NUFLO TECHNOLOGIES, INC., AND THE RECIPIENT THEREOF AGREES NOT TO DISCLOSE SAID INFORMATION TO PARTIES OUTSIDE THE RECIPIENT'S ORGANIZATION AND NOT TO USE OR DUPLICATE SAID INFORMATION FOR ANY PURPOSE EXCEPT AS SPECIFIED BY NUFLO TECHNOLOGIES, INC. WITHOUT THE WRITTEN PERMISSION OF NUFLO TECHNOLOGIES, INC. PRODUCTS AND TECHNOLOGY DEVELOPED IN U.S.A., OR BY CITIZENS OF THE U.S.A. ARE DEEMED TO BE OF U.S. ORIGIN AND THEREBY SUBJECT TO U.S. EXPORT CONTROL LAWS. THE EXPORT OR REEXPORT OF U.S. ORIGIN TECHNOLOGY BY ANY MEANS, INCLUDING DATA TRANSFER, IS PROHIBITED EXCEPT IN ACCORDANCE WITH U.S. LAW AND NUFLO TECHNOLOGIES, INC. POLICY

USED ON:	RESTRICTED DRAWING	UNLESS OTHERWISE SPECIFIED	DESIGNED BY: AG 5/1/2006	<b>NuFlo Technologies, Inc.</b> Houston, Texas TITLE LA-22 W/STATIC MIXER, 2" 600LB RFWN FLG, SCH. 80 SIZE DWG. NO. 50131987703 SCALE: NTS WEIGHT: - SHEET 2 OF 2 REV A FORM REVISION A
	<input type="checkbox"/> PED <input type="checkbox"/> INT. SAFETY <input type="checkbox"/> CSA <input type="checkbox"/> EXPL. PROOF <input type="checkbox"/> ATEX <input type="checkbox"/> IP65 / NEMA 4X <input type="checkbox"/> ZONE 2 <input type="checkbox"/> ZONE 1	<b>TOLERANCES</b> FABRICATION .X = ±.25 .XX = ±.125 .XXX = ±.060 ANGLES ± 3° MACHINE .X = ±.030 .XX = ±.015 .XXX = ±.005 .XXXX = ±.0010 ANGLES ±1/2°	DRAWN BY: AG 5/1/2006 APPROVED BY: SLS 5.09.2006 REFERENCE: 50132175901 SUPERSEDES: -	
	<input type="checkbox"/> NO MODIFICATION PERMITTED WITHOUT THE APPROVAL OF THE REGULATORY ENGINEER. THIS IS A CONTROLLED DRAWING/ NOTIFIED BODY REF DRAWING. <input type="checkbox"/> NO MODIFICATION PERMITTED WITHOUT THE APPROVAL OF THE NOTIFIED BODY. THIS IS A NOTIFIED BODY CONTROLLED DRAWING. RESTRICTION AUTHORIZATION REGULATORY ENGINEER:	1. DO NOT SCALE DRAWING 2. DIMS. ARE IN INCHES 3. INTERPRET DIM. TOL. PER ASME Y14.5M-1994 4. REMOVE ALL BURRS AND SHARP CORNERS 5. INSIDE CORNERS R .032 OUTSIDE CORNERS R .020 OR CHAM. .020 X 45° 6. MACHINE FINISH FIN ✓	THIRD ANGLE PROJECTION 	